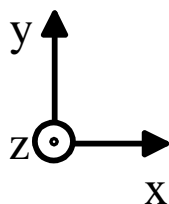
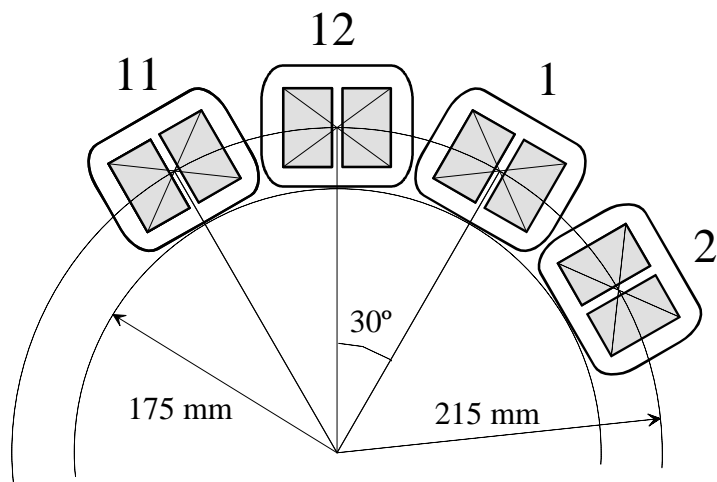


Baseline Geometry for FP6 Proposal

- o 12 modules
- o 1 module = 2 rectangular HPDs
+ 208 scintillators
- o crystal dimensions: 3.2 x 3.2 x 100 mm
- o HPD dimensions: ca. 100 x 80 x 55 mm



The right handed cartesian coordinate system has its origin in the centre of the PET scanner.

Arrangement of 208 (2 x (8 x 13)) crystals to scintillator matrix.
Gap between crystals: 0.8 mm

